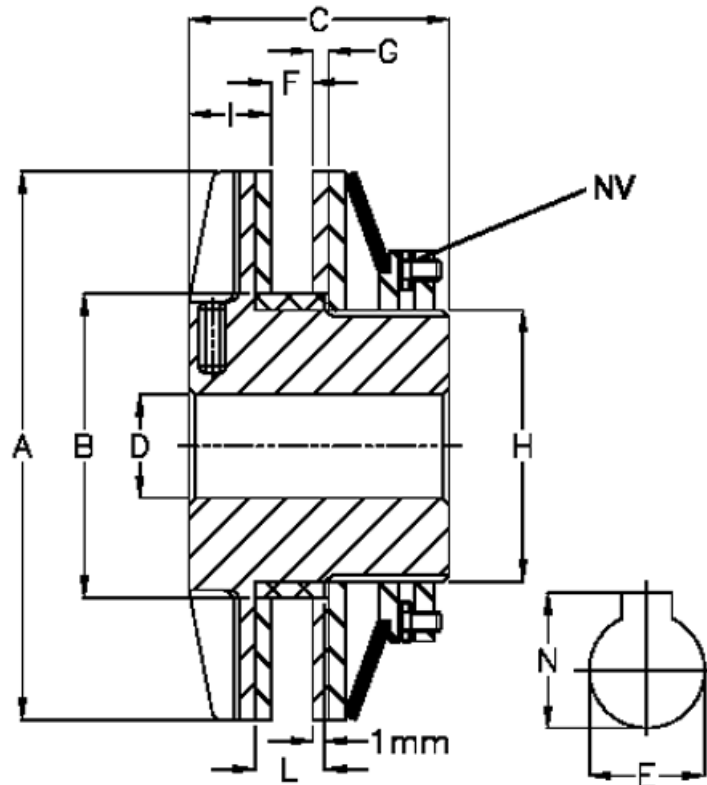


Article number: 4610006

Description: Securex torque limiter T 1000/170

Measures



A = 170	L	= 24
B = 100	Largest possible bore with slot according to DIN 6885/1, E max = 65	
C = 93	Largest possible bore with slot according to DIN 6885/1, N	= 69.4
D = 28	Largest possible bore with slot according to DIN 6885/3, E max = 70	
F = 20	Largest possible bore with slot according to DIN 6885/3, N	= 73.3
G = 4.6	Max torque Nm	= 1000
H = 90	Number of springs	= 1
I = 26.5	NV	= 13